

## POLO 3 SELF e POLO SQUARED SELF- ventilati

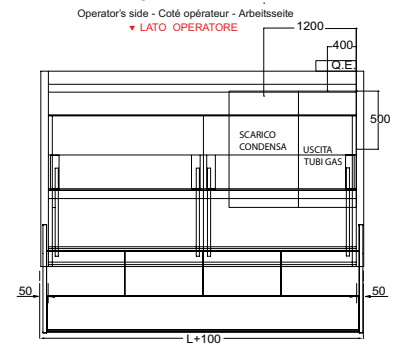
Ventilated POLO 3 SELF and POLO SQUARED SELF counter -

Comptoir POLO 3 SELF et POLO SQUARED SELF aere -

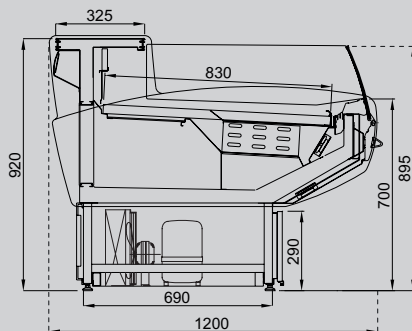
Theke POLO 3 SELF und POLO SQUARED SELF Ventilerte



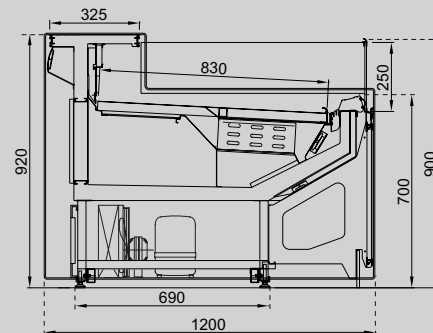
Pianta Detailed design - Plan detaille - Grundriss



SELF POLO 3



SELF POLO SQUARED



### DOTAZIONE STANDARD

Banchi ventilati a valvola, gas R452A, gruppo incorporato (esterno a richiesta), vetri curvi / dritti temprati ribaltabili in basso, anodizzazione argento/ nero (Squared), celle sottobanco con sportelli refrigerati a caduta. I moduli sono canalizzabili. **Classe climatica 3 (25°C -60% U.R.) M1**

#### STANDARD EQUIPMENT

Ventilated refrigeration counters with capillary tube, R452A gas, incorporated unit (external unit upon request), curved, drop fronts in tempered glass, silver/black (Squared) anodization, undercounter storage cells refrigerated by means of cold air downflow and fitted with doors. These units may be connected with other units. **Climat class 4 (30°C - 60% U.R.) M1**

#### ÉQUIPEMENT STANDARD

Comptoirs à froid ventilé par soupape, gaz R452A, groupe logé, (externe sur demande), verres bombés trempés rabattables, anodisation argent/ noir (Squared), réserves réfrigérées sous le comptoir avec portillons et à froid descendant. Les modules sont canalissables.

**Classe climatique 4 (30°C - 60% U.R.) M1**

#### STANDARD AUSSTATTUNG

Ventilierte Theken mit Ventil, Gas R452A, eingebauter Motor (extern auf Anfrage), gebogenes temperiertes Glas, anodisierung silber/ schwarz (Squared), Zellen Untertheke mit Türen Kühlung von oben. Die Module sind kanalisierbar. **Klimaklasse 4 (30°C - 60% Rel.Luftfeuchtigk) M1**

## POLO 3 SELF e POLO SQUARED SELF- ventilati

Ventilated POLO 3 SELF and POLO SQUARED SELF counter -  
Comptoir POLO 3 SELF et POLO SQUARED SELF aere -  
Theke POLO 3 SELF und POLO SQUARED SELFventilierte

Ventilati motore incorporato - Ventilated w/ incorporated motor - Aéré moteur incorporé - Ventiliert eingebauter motor

<b>Polo3</b>	<b>Squared</b>	Modello Models	Lunghezza Length	Temperatura Temperature	N.vetri Glass panels
		POLO 100	980	+0°C + 2° C	1
		POLO 150	1470	+0°C + 2° C	1
		POLO 200	1960	+0°C + 2° C	2
		POLO 250	2450	+0°C + 2° C	2
		POLO 300	2940	+0°C + 2° C	2
		POLO 370	3675	+0°C + 2° C	3

Ventilati senza motore - Ventilated without motor - Aéré sans moteur - Ventiliert ohne motor  
Per motore vedi pag. 71 - for motor see page 71 - pour moteur vogs pags 71 - fur motor siehe s. 71

<b>Polo3</b>	<b>Squared</b>	Modello Models	Lunghezza Length	Temperatura Temperature	N.vetri Glass panels
		POLO 100	980	+0°C + 2° C	1
		POLO 150	1470	+0°C + 2° C	1
		POLO 200	1960	+0°C + 2° C	2
		POLO 250	2450	+0°C + 2° C	2
		POLO 300	2940	+0°C + 2° C	2
		POLO 370	3675	+0°C + 2° C	3

POLO 3  
POLO SQUARED

POLO 3

Coppia spalle in ABS - Couple of finishing sides in ABS  
Couple joues de finition en ABS - 2 Schulterelement in ABS

POLO SQUARED

Coppia spalle in ABS - Couple of finishing sides in ABS  
Couple joues de finition en ABS - 2 Schulterelement in ABS